

# Process & Systems

METERING, PROCESS PUMPS AND DOSING PACKAGES



innovation > technology > future

Since 1976 **SEKO** has been a significant player over a diversified range of industrial applications, supplying complete dosing pumps and packages throughout the world.

During this long period **SEKO** acquired a vast experience providing metering, injection and transfer solutions for a wide variety of liquids.



## Committed to Customer satisfaction

**SEKO** is organized as a true technical consultancy service to each individual customer from the preliminary stage of the project through the ordering, design, manufacturing and after sales technical assistance.

A team of skilled engineers operating with sophisticated CAD stations, 3D modeling and FE software provides design and the engineering of systems according to the most demanding international standards, such as ASME, ANSI, BS, API and as required by customer's project specifications.

A total engineering process and a comprehensive supply approach can be undertaken according to clients requirements.

- **Proximity to our customers**
- **High competitiveness**
- **Support to the customers since the FEED stage up to the equipment commissioning**
- **After Sales Service for start-up, commissioning and specific dosing problems**
- **Ordinary maintenance support by a dedicated staff**
- **Quick reaction time**
- **Specific trainings for customer operations and maintenance engineers**





## Production and services

Process and metering pumps, both diaphragm and plunger type, are produced according to **SEKO**'s own designs, covering a wide range of performances:

- **Plunger metering pumps** (according to API 675) for flow rate up to 15,000 l/h and pressure up to 1,000 bar;
- **Diaphragm metering pumps** (according to API 675) for flow rate up to 15,000 l/h and pressure up to 300 bar;
- **Reciprocating Triplex process pumps** (according to API 674) for flow rate up to 57,000 l/h and pressure up to 1,150 bar.
- **Chemical dosing/injection packages** : fabrication, assembly and testing activities are all carried out by **SEKO Middle East FZE**, 100% owned by **SEKO**. Raw materials for construction are purchased from qualified international suppliers. Instrumentation, valves and remaining components are selected from world-wide valued suppliers, in compliance to the specific project vendor list when required by the customer. Tanks and pressure vessels are also manufactured by **SEKO Middle East FZE**, which production facility has been recently ASME certified (U-Stamp).

**SEKO** operates according to **UNI EN ISO 9001**, audited and certified by DET NORSKE VERITAS (DNV):

- *Yearly Management Plan based on market analysis*
- *Sales Process control for better assisting/supporting customers*
- *R&D and Design Innovation to deliver "state of the art" products for all specific applications*
- *Centralized Supply Chain Control to assure the best delivery time with the highest competitiveness*
- *Lean Production and Just in Time for optimizing costs*
- *Strict Quality Control both on received and delivered materials*
- *Financial Management Plan*
- *Commitment to Higher HSE Standards*



## Application areas

The main industrial application areas for the equipment designed and produced by **SEKO** P&S Business Units are:

- Oil & Gas (on-shore, off-shore, FPSO)
- Petrochemical
- Energy (boilers, desalination, cooling towers, environment).

**SEKO** also supplies pumps and systems to the:

- Water treatment (municipalities, wastewater)
- Industrial sectors (steel, ceramics, food & beverages, detergents, paper, textile and pharmaceutical industries).

## Worldwide Presence

A network of subsidiaries, agents and distributors around the world grants to customers the best and quickest response time for commercial and after sales needs. An After Sales team is full time available to assist Customers and End Users on a short reaction time basis.

Spare parts are available on stock for 10 years after the goods delivery. After 10 years, spare parts remain available upon specific request, for the entire lifetime of the equipment.



Phosphate, Oxygen Scavenger, Amine and Corrosion Inhibitor Dosing Packages



Chemical Injection Package



Chemical Injection Package



Chemical Dosing Package.



Phosphate Injection Package

# Chemical dosing/injection packages



Corrosion inhibitor, Antifoam and Antiscale Injection Package



Glycol and Corrosion Inhibitor Injection Package



Antifoam and Antiscale Dosing Package



Sulphuric Acid, Biodispersant, Scale Inhibitor and Biocide Dosing Package.



Antifoam, Antiscale, Ferrous Sulphate and Sodium Sulphite Dosing Package



Chemical Injection Package

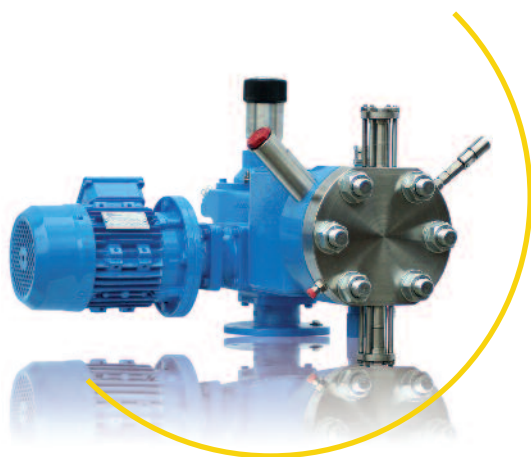


Injection Packages



Demulsifier Injection Package

# Metering & Process pumps



## Nexa Series

Plunger and hydraulic double diaphragm metering pumps

**Liquid end:** SS 316L, PP, PVDF, different material on request

**Flow-rate adjustment:** manual, electrical 4÷20 mA, Pneumatic 3-15 psig and/or SMART (protocol HART) servomotor and/or by frequency converter drivers

**Multiple head execution** with different mechanism size and gear ratio

**API 675 Standards – CE and ATEX marking**

**Pressure** up to 200 bar

**Flow rate** up to 2650 l/h



## K Series

Plunger metering pumps with spring return mechanism

## D Series

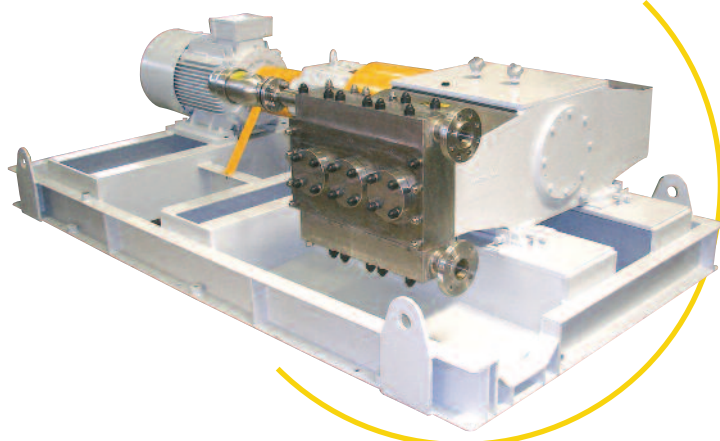
Mechanical diaphragm metering pumps with spring return mechanism

**Liquid end:** SS 316 L or PVC

**Flow-rate adjustment:** manual, electrical 4÷20 mA or Pneumatic servomotor 3-15 psig servomotor

**Pressure** up to 20 bar

**Flow rate** up to 1000 l/h



## 3C TRIPLEX Series

Three Plunger Reciprocating Pumps

**Liquid end:** SS 316 L, 304 SS or CS pump-head, different material on request

**Flow-rate adjustment:** via Frequency Converter

**API 674 standard**

**Double head execution**

**Pressure** up to 1200 bar

**Flow rate** from 1.000 to 60.000 l/h



## Polycendos

Automatic polyelectrolyte preparation system continuous-flow in stainless steel and polypropylene

- Deposits made entirely of stainless steel and PPH, with inspection covers and emptying valves for each compartment.
  - Customised propellers, optimised to obtain a homogeneous mixture, made of stainless steel.
  - Batching screw made entirely of stainless steel with batching adjustment using the precise speed variator.
  - Electric protection and control panel, with built-in or touchscreen synoptic panel, designed for manual/automatic operation, equipped with emergency stop and wiring to all system components.
  - Conductive level probes for high, low and very low levels with audible warning.
- Flow rate** from 550 to 3.000 l/h

## References

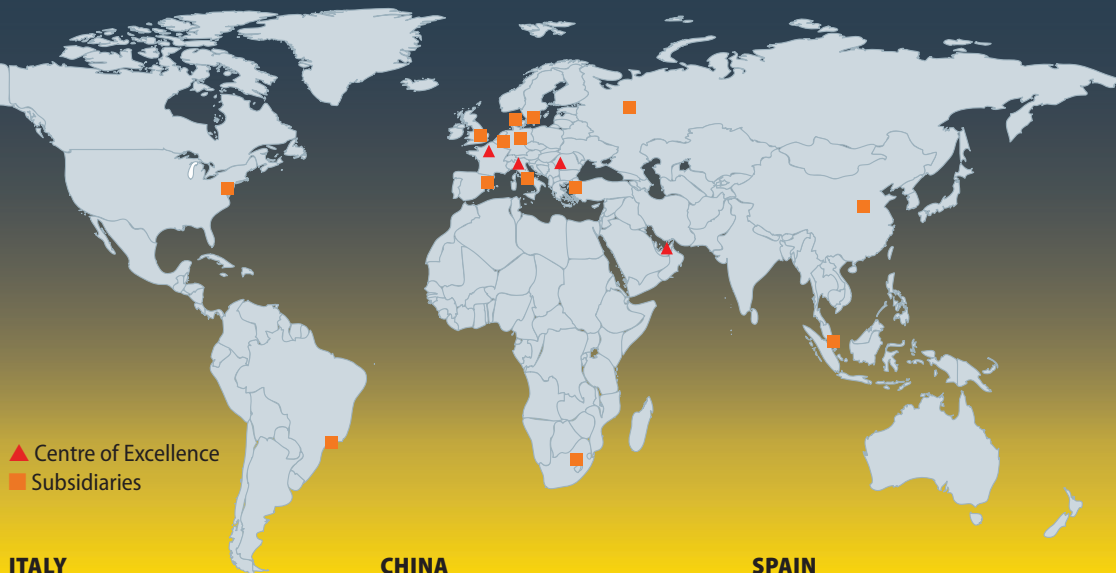
Some of the best known clients and engineering companies that SEKO has worked with:



# A Worldwide Group at your service

**seko** is an International Group, developing, manufacturing and delivering its products in more than 50 countries, through its subsidiaries and an extended network of distributors, agents and authorized dealers.

**seko** is a leading manufacturer of dosing pumps and dosing systems with more than 40 years experience. This long activity allowed **seko** to acquire a vast experience in diversified applications and to confirm its international success in many industrial fields through the supply of reliable solutions for the dosing, injection and transfer of liquids.



▲ Centre of Excellence  
■ Subsidiaries

## ITALY

▲ **Seko Spa**  
[Process & Sytems]  
20068 Peschiera Borromeo -  
Milano  
info.psd@seko.com  
info@seko.com

## FRANCE

▲ **Seko Lefranc-Bosi S.A.**  
77435 - Marne La Vallee  
Cedex 2  
lefrancbosi@lefrancbosi.com  
service.commercial@seko.fr  
www.lefrancbosi.com

## ROMANIA

▲ **Seko Sieta S.r.l.**  
400393 Cluj-Napoca  
info.dpro@seko.com

## UNITED ARAB EMIRATES

▲ **Seko Middle East FZE**  
P.O. Box 42090 - Hamriyah  
Free Zone, Sharjah  
info@seko.ae  
sales@seko.ae

## BRAZIL

■ **Seko do Brasil**  
**Comercio de Sistemas de**  
**Dosagem Limitada**  
03170-050 São Paulo (SP)  
sekobrasil@sekobrasil.com.br  
www.sekobrasil.com.br

## BENELUX

■ **Seko Benelux B.V.**  
7532 SK Enschede  
(The Netherlands)  
info@sekobenelux.com

## CHINA

■ **Seko China Ltd**  
072750 Hebei  
china@seko.com  
www.sekochina.com

## DENMARK

■ **Seko Denmark**  
DK-4930 Maribo  
info@seko.com

## GERMANY

■ **Seko Deutschland**  
**GmbH**  
55252 Mainz - Kastel  
info@seko-messtechnik.de  
www.seko-germany.com

## ITALY

■ **Seko Spa**  
02010 S.Rufina - Rieti  
sales@seko.com

## RUSSIA

■ **OOO Seko**  
129347 - Moscow  
sekorussia@seko.com  
www.sekorussia.ru

## SINGAPORE

■ **Seko Dosing Systems**  
**Asia Pacific Pte Ltd**  
608838 Singapore  
asiapacific@seko.com

## SOUTH AFRICA

■ **Seko Southern Africa**  
**(PTY) Ltd**  
Kyasand - Johannesburg -  
Gauteng  
sales@sekosa.co.za

## SPAIN

■ **Seko Ibérica Sistemas**  
**de Dosificación S.A.**  
08960 Sant Just Desvern -  
Barcelona  
sekoiberica@sekoiberica.com

## SWEDEN

■ **Seko Sweden**  
26123 Landskrona  
info@seko.com

## TURKEY

■ **Seko Endüstriyel**  
**Pompalar ve Proses**  
**Sistemleri San. ve**  
**Tic. Ltd. Şti.**  
Kartal Istanbul  
info@seko.com.tr  
www.seko.com.tr

## UNITED KINGDOM

■ **Seko UK**  
**Chemical Controls Ltd**  
Harlow, Essex - CM19 5JH  
seko.uk@seko.com  
www.sekouk.com

## USA

■ **Seko Dosing Systems**  
**Corporation**  
Tullytown - PA 19007  
sales@sekousa.com  
www.sekousa.com

For more information  
[www.seko.com](http://www.seko.com)

