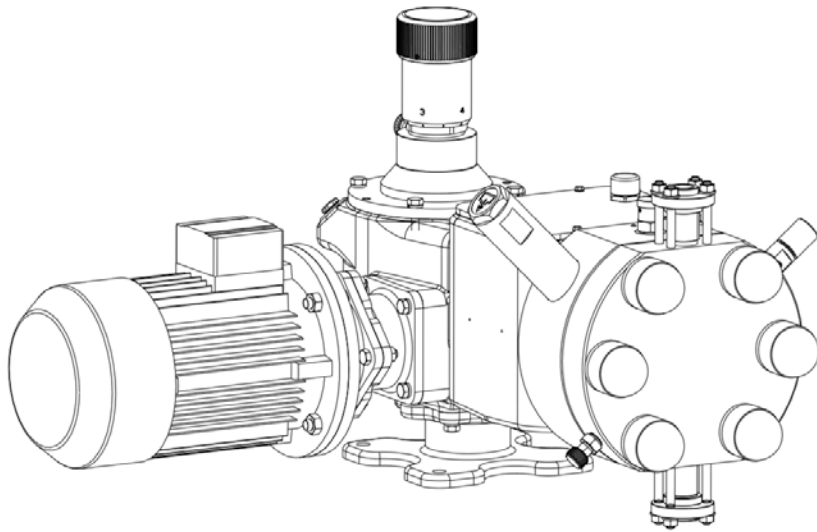


Technical characteristics



- Flow rates: from 1,8 to 44,1 lph @ 50Hz
- Max Pressure: 200 bar
- Ambient temperature: -10 °C + 40 °C
- Max altitude: 1000 m (A.S.L.)
- Fluid operating temperature:
 - 10 °C + 70 °C
 - 40 °C + 70 °C (only selected models)
- Viscosity up to 1000 cP (Higher on request)
- Stroke adjustment during operation from 0 to 100%
- Accuracy $\pm 1\%$ on the turndown ratio 10:1
- Built-in overpressure valve
- Double diaphragm and diagnostic of the rupture
- Diaphragm duration up to 20.000 hours, depending of the application
- Multiheads (up to six) solutions
- API 675 compliance
- CE marking
- ATEX Ex II 2 G c IIB T4 compliance
- Protection: IP 55
- Epoxy painting at 125 micron

nexa series includes plunger and hydraulic diaphragm dosing pumps designed in compliance with **API 675 Standards**; the conformity to the API Standards implies a “heavy duty” design, high safety and severe controls of the performances during the tests. The broad variety of heads execution offers a wide selection of dosing pumps to cover practically any application needs. In addition the full compliance with the **ATEX** European Directive gives the possibility to install these pumps in classified areas too.

Mechanism

Available in different sizes, they are mechanical return type, giving the maximum reliability in all working conditions.

General Specifications:

- Low noise integral gearbox, worm type, oil bath lubricated
- Reduced energy consumption based on low friction rolling bearings design
- High flexibility multiple mechanism solution to permit different piston speeds (SPM) on the same group
- Micrometric stroke length adjustment both manually and/or automatically actuated.
- Automatic stroke length variation by electrical servomotor, pneumatic actuator or frequency converter
- Linearity and repeatability in compliance with API 675 Standards.
- Easy “on field” installation of electrical servomotor on manual stroke adjustment mechanism.

Diaphragm Pumphead

- High capacity flexibility → On site easy volume changing by changing the piston cartridge
- Easy to change spares parts (all “one cartridge” solution).
- Maximum compatibility PTFE diaphragm
- Visual or remote diaphragm failure detection

PUMP KEY CODE

1°	Number of pump head					
1	Simplex pump					
2°	Type of pump head (double diaphragm or packed-plunger)					
H	Double diaphragm with built-in overpressure valve, air-bleed valve and mechanically actuated oil replenishing					
3°/4°	Plunger diameter					
08÷20	from 08 to 20 mm					
5°/6°	Mechanism model					
N1	Stroke length 25 mm					
7°/8°	Pump head material					
		HEAD	DIAPHRAGM	BALL	VALVE SEAL	VALVE SEAT
2F		316SS	PTFE	316SS	316SS	316SS
9°	Valve type					
B	Double balls					
10°	General options					
7	Standard execution					
11°	Flow rate adjustment					
M	Manual with adjustment knob (Standard execution)					
E	Electric actuator					
P	Pneumatic actuator					
12°	Gear ratio					
D	1:12					
F	1:15					
13°	Electric motors poles					
4	4 poles					
6	6 poles					
14°	Installed power					
E	0,55 kW					
F	0,75 kW					
G	1,10 kW					
15°	Pump head options					
V	Visual diaphragm failure detection (Standard execution)					
R	Remote diaphragm failure detection					
16°	Mechanism options					
0	Standard execution					
5	Compliance with regulation "ATEX" 94/4/CE II 2 G c IIB T4 (for zone 1)					

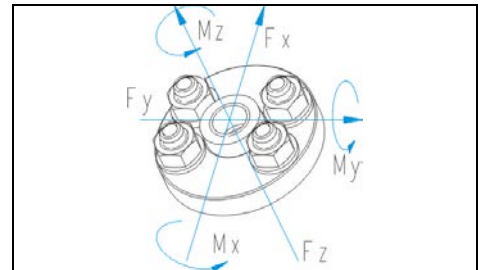
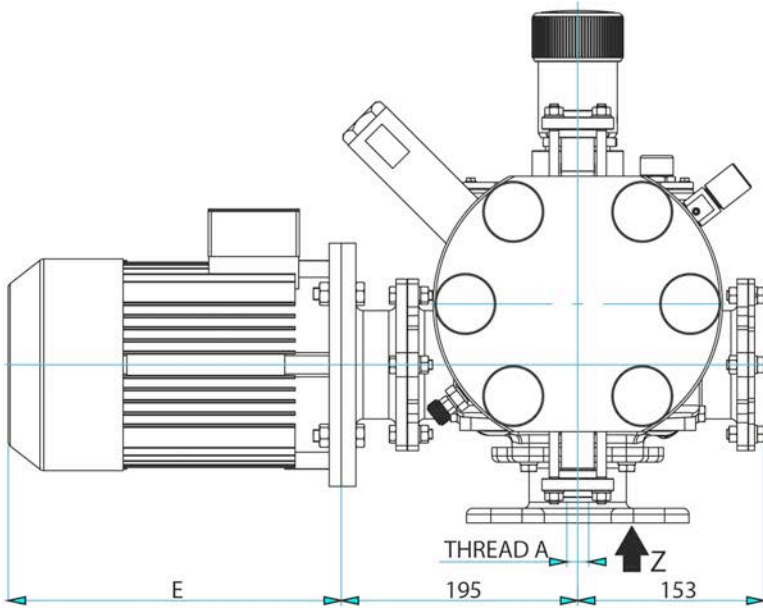
1	H	08	N1	2F	B	7	M	D	6	F	V	0
---	---	----	----	----	---	---	---	---	---	---	---	---

HYDRAULIC CHARACTERISTICS

Performances:		50 Hz		60Hz												
		1,8/44,1 200/147		l/h bar		gph 0,6/14,0 p.s.i. 2900/2132		Liquid end material 316L								
		Flow rate at max pressure		Max speed		Flow rate at max pressure		Max speed		Electric motor kW			Suc/Dis ConneC			
										0,55 E	0,75 F	1,10 G				
Pump Model			Strokes /min						Max pressure						Ø BSPP	NPSHr [barg]
	lph	gph	lph	gph	Strokes /min	bar	p.s.i.	bar	p.s.i.	bar	p.s.i.	bar	p.s.i.			
1H08N12FB7MF6E:V0	1,8	0,5	62	2,2	0,6	74	200	2900	-	-	-	-	-	1/4" F	-0,45	
1H08N12FB7MD6E:V0	2,7	0,7	78	3,2	0,8	94	200	2900	-	-	-	-	-	1/4" F	-0,45	
1H08N12FB7MF4E:V0	3,4	0,9	93	4,1	1,1	112	200	2900	-	-	-	-	-	1/4" F	-0,45	
1H08N12FB7MD4E:V0	4,7	1,2	117	5,6	1,5	140	200	2900	-	-	-	-	-	1/4" F	-0,45	
1H10N12FB7MF6E:V0	4,6	1,2	62	5,5	1,5	74	200	2900	-	-	-	-	-	1/4" F	-0,50	
1H10N12FB7MD6E:V0	5,7	1,5	78	6,8	1,8	94	200	2900	-	-	-	-	-	1/4" F	-0,50	
1H10N12FB7MF4E:V0	6,8	1,8	93	8,2	2,2	112	200	2900	-	-	-	-	-	1/4" F	-0,50	
1H10N12FB7MD4E:V0	8,6	2,3	117	10,3	2,7	140	200	2900	-	-	-	-	-	1/4" F	-0,50	
1H15N12FB7MF6F:V0	13,1	3,5	62	15,7	4,1	74	-	-	200	2900	-	-	-	1/4" F	-0,40	
1H15N12FB7MD6F:V0	16,5	4,4	78	19,8	5,2	94	-	-	200	2900	-	-	-	1/4" F	-0,40	
1H15N12FB7MF4G:V0	19,6	5,2	93	23,5	6,2	112	-	-	-	-	200	2900	-	1/4" F	-0,40	
1H15N12FB7MD4G:V0	24,7	6,5	117	29,6	7,8	140	-	-	-	-	200	2900	-	1/4" F	-0,40	
1H20N12FB7MF6F:V0	23,4	6,2	62	28,1	7,4	74	-	-	147	2132	-	-	-	1/4" F	-0,45	
1H20N12FB7MD6F:V0	29,4	7,8	78	35,3	9,3	94	-	-	147	2132	-	-	-	1/4" F	-0,45	
1H20N12FB7MF4G:V0	35,1	9,3	93	42,1	11,1	112	-	-	-	-	147	2132	-	1/4" F	-0,45	
1H20N12FB7MD4G:V0	44,1	11,6	117	52,9	14,0	140	-	-	-	-	147	2132	-	1/4" F	-0,45	

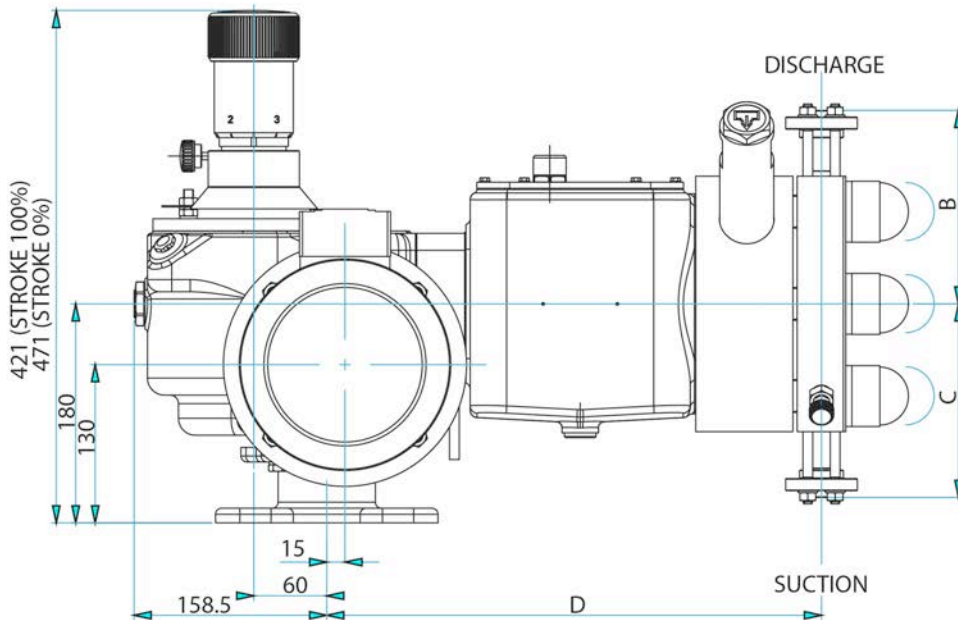
Test with water @ 20°C.

*Model available with a fluid operating temperature from -40°C to +70°C

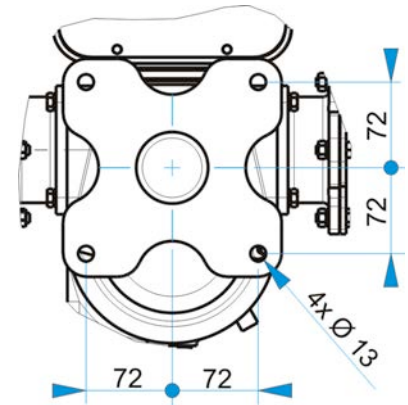


Allowable loads referred to pump nozzles

Fx	0.10 KN	Mx	0.04 KNm
Fy	0.12 KN	My	0.04 KNm
Fz	0.10 KN	Mz	0.04 KNm



FIXING HOLES – VIEW FROM Z



PUMP MDEL	DIMENSIONS [mm]				EXTIMATED WEIGHT Kg (without motor)
	A (EN10226)	B	C	D	
1H08N12FB..	BSPP 1/4"F	126	126	366	58
1H10N12FB..	BSPP 1/4"F	126	126	366	58
1H15N12FB..	BSPP 1/4"F	163	163	367	61
1H20N12FB..	BSPP 1/4"F	163	163	367	61

Electric motor size	4 Poles Kw	6 Poles Kw	TEFC 1xM20x1.5		EExde 1xM25x1.5	
			E	Kg	E	Kg
90	1.1	0.75	274	12	340	33
80	0.55	0.55	255	9	290	26