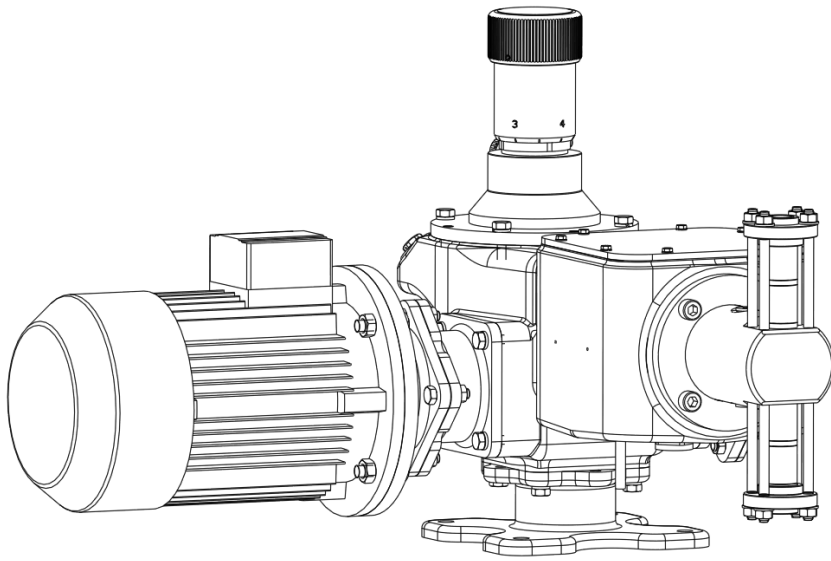


Technical characteristics



- Flow rates: from 15,6 to 1061 lph @ 50Hz
- Max Pressure: 40 bar
- Ambient temperature: -10 °C + 40 °C
- Max altitude: 1000 m (A.S.L.)
- Fluid operating temperature: -10 °C + 70 °C
- Viscosity up to 1000 cP (Higher on request)
- Stroke adjustment during operation from 0 to 100%
- Accuracy $\pm 1\%$ on the turndown ratio 10:1
- Multiheads (up to six) solutions
- API 675 compliance
- CE marking
- ATEX Ex II 2 G c IIB T4 compliance
- Protection: IP 55
- Epoxy painting at 125 micron

nEXa series includes plunger and hydraulic diaphragm dosing pumps designed in compliance with **API 675 Standards**; the conformity to the API Standards implies a “heavy duty” design, high safety and severe controls of the performances during the tests. The broad variety of heads execution offers a wide selection of dosing pumps to cover practically any application needs. In addition the full compliance with the **ATEX** European Directive gives the possibility to install these pumps in classified areas too.

Mechanism

Available in different sizes, they are mechanical return type, giving the maximum reliability in all working conditions.

General Specifications:

- Low noise integral gearbox, worm type, oil bath lubricated
- Reduced energy consumption based on low friction rolling bearings design
- High flexibility multiple mechanism solution to permit different piston speeds (SPM) on the same group
- Micrometric stroke length adjustment both manually and/or automatically actuated.
- Automatic stroke length variation by electrical servomotor, pneumatic actuator or frequency converter.
- Linearity and repeatability in compliance with API 675 Standards.
- Easy “on field” installation of electrical servomotor on manual stroke adjustment mechanism.

Plunger Pumphead:

- Reliable and easy maintenance
- Ready for flushing connection or for leakage recovery system connection
- Plunger coating or mechanical surface hardening for heavy-duty application

PUMP KEY CODE

1°	Number of pump head						
1	Simplex pump						
2°	Type of pump head (double diaphragm or packed-plunger)						
P	Packed plunger with square section rings						
3°/4°	Plunger diameter						
15÷90	from 15 to 90 mm						
5°/6°	Mechanism model						
N1	Stroke length 25 mm						
7°/8°	Pump head material						
	HEAD	PLUNGER	SEAL PACK	BALL	VALVE SEAL	VALVE SEAT	
1A	316SS	316SS + CERAMIC	ARAMIDIC FIBER	316SS	316SS	316SS	
7Y	316SS	316SS	PTFE	316SS	316SS	316SS	
9°	Valve type						
A	Single ball						
B	Double balls						
10°	General options						
7	Standard execution						
F	Flanged connections ANSI B16.5						
11°	Flow rate adjustment						
M	Manual with adjustment knob (Standard execution)						
E	Electric actuator						
P	Pneumatic actuator						
12°	Gear ratio						
D	1:12						
F	1:15						
13°	Electric motors poles						
4	4 poles						
6	6 poles						
14°	Installed power						
E	0,55 kW						
F	0,75 kW						
G	1,10 kW						
15°	Pump head options						
F	Flushing connections						
16°	Mechanism options						
0	Standard execution						
5	Compliance with regulation "ATEX" 94/4/CE II 2 G c.IIB T4 (for zone 1) (*)						

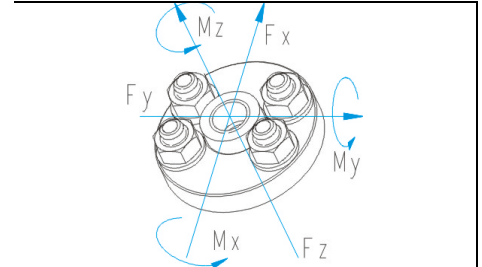
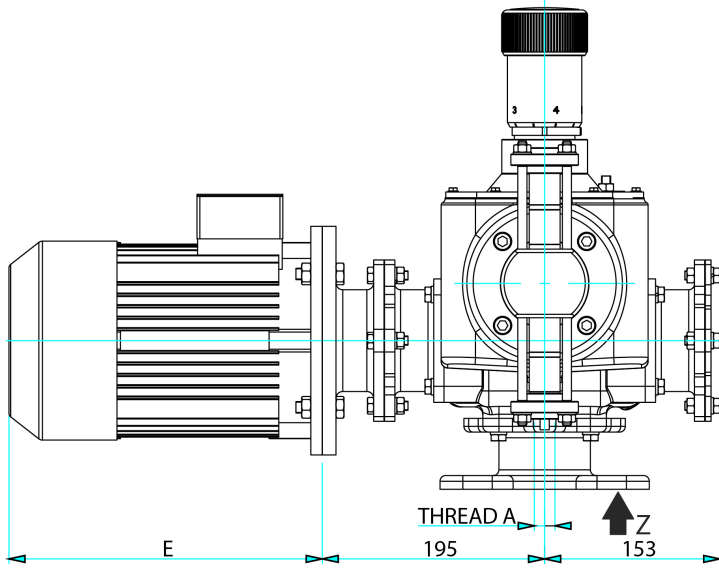
1 P 15 N1 1A B 7 M D 6 E F 0

(*) for toxic, inflammable, hazardous and/or pyrophoric liquids packed plunger pumps are not suitable.

HYDRAULIC CHARACTERISTICS

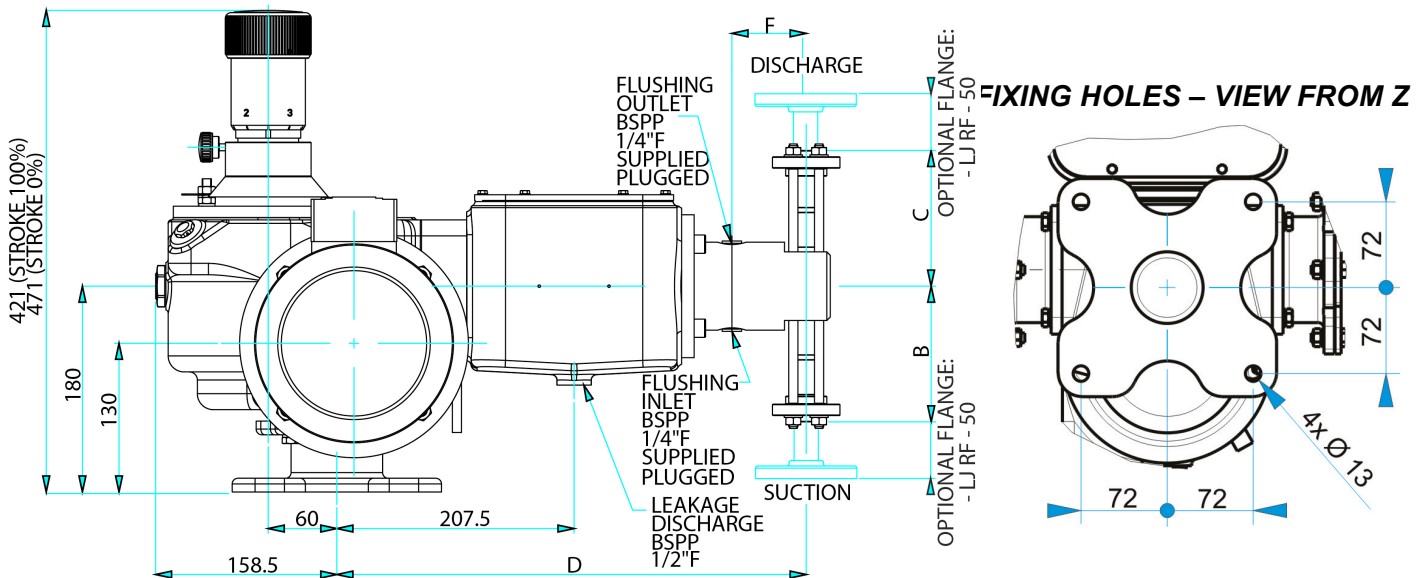
Performances:		50 Hz			60Hz										
		15,6/1061 40/7,5		l/h	gph	5,3/362 580/109	Liquid end material						316L		
				Flow rate at max pressure	Max speed	Flow rate at max pressure	Max speed	Electric motor kW						Suc/Dis Connec	
								0,55 E		0,75 F		1,1 G			
Pump Model							Max pressure						Ø BSPP	NPSHr [barg]	
	lph	gph	Strokes /min	lph	gph	Strokes /min	bar	p.s.i.	bar	p.s.i.	bar	p.s.i.			
1P15N11AB7MF6E:FO	15,6	4,1	62	18,7	4,9	74	40	580	-	-	-	-	1/4" F	-0,50	
1P15N11AB7MD6E:FO	19,6	5,2	78	23,5	6,2	94	40	580	-	-	-	-	1/4" F	-0,50	
1P15N11AB7MF4E:FO	23,4	6,2	93	28,1	7,4	112	40	580	-	-	-	-	1/4" F	-0,50	
1P15N11AB7MD4E:FO	29,5	7,8	117	35,4	9,4	140	40	580	-	-	-	-	1/4" F	-0,50	
1P20N11AB7MF6E:FO	27,8	7,3	62	33,4	8,8	74	40	580	-	-	-	-	1/4" F	-0,50	
1P20N11AB7MD6E:FO	34,9	9,2	78	41,9	11,1	94	40	580	-	-	-	-	1/4" F	-0,50	
1P20N11AB7MF4E:FO	41,6	11,0	93	49,9	13,2	112	40	580	-	-	-	-	1/4" F	-0,50	
1P20N11AB7MD4E:FO	52,4	13,8	117	62,9	16,6	140	40	580	-	-	-	-	1/4" F	-0,50	
1P30N11AB7MF6F:FO	62	16	62	74	20	74	-	-	40	580	-	-	1/2" F	-0,50	
1P30N11AB7MD6F:FO	79	21	78	95	25	94	-	-	40	580	-	-	1/2" F	-0,50	
1P30N11AB7MF4G:FO	94	25	93	113	30	112	-	-	-	-	40	580	1/2" F	-0,50	
1P30N11AB7MD4G:FO	118	31	117	142	38	140	-	-	-	-	40	580	1/2" F	-0,50	
1P40N11AA7MF6F:FO	111	29	62	133	35	74	-	-	40	580	-	-	3/4" F	-0,50	
1P40N11AA7MD6F:FO	140	37	78	168	44	94	-	-	40	580	-	-	3/4" F	-0,50	
1P40N11AA7MF4G:FO	167	44	93	200	53	112	-	-	-	-	40	580	3/4" F	-0,50	
1P40N11AA7MD4G:FO	210	55	117	252	67	140	-	-	-	-	40	580	3/4" F	-0,50	
1P50N17YA7MF6F:FO	173	46	62	208	55	74	-	-	24	348	-	-	3/4" F	-0,50	
1P50N17YA7MD6F:FO	218	58	78	262	69	94	-	-	25	363	-	-	3/4" F	-0,50	
1P50N17YA7MF4G:FO	260	69	93	312	82	112	-	-	-	-	25	363	3/4" F	-0,50	
1P50N17YAD4G:FO	327	86	117	392	104	140	-	-	-	-	25	363	3/4" F	-0,50	
1P70N17YA7MF6F:FO	340	90	62	408	108	74	-	-	13	189	-	-	1" F	-0,50	
1P70N17YAD6F:FO	428	113	78	514	136	94	-	-	13	189	-	-	1" F	-0,50	
1P70N17YA7MF4G:FO	510	135	93	612	162	112	-	-	-	-	13	189	1" F	-0,50	
1P70N17YAD4G:FO	642	170	117	770	203	140	-	-	-	-	13	189	1" F	-0,50	
1P90N17YA7MF6F:FO	562	148	62	674	178	74	-	-	7,5	109	-	-	1" F	-0,50	
1P90N17YAD6F:FO	707	187	78	848	224	94	-	-	7,5	109	-	-	1" F	-0,50	
1P90N17YA7MF4G:FO	843	223	93	1012	267	112	-	-	-	-	7,5	109	1" F	-0,50	
1P90N17YAD4G:FO	1061	280	117	1273	336	140	-	-	-	-	7,5	109	1" F	-0,50	

Test with water @ 20°C.



Allowable loads referred to pump nozzles

Fx	0.10 KN	Mx	0.04 KNm
Fy	0.12 KN	My	0.04 KNm
Fz	0.10 KN	Mz	0.04 KNm



PUMP MODEL	DIMENSIONS [mm]					EXTIMATED WEIGHT Kg (without motor)	OPTIONAL FLANGE ANSI 300 MAX. TEMP. 38°C MAX. PRESSURE 40BAR SIZE
	A (EN10226)	B	C	D	F		
1P15N11AB..	BSPP 1/4"F	121	121	401	64	58	1/2"
1P20N11AB..	BSPP 1/4"F	121	121	416	71	58,5	1/2"
1P30N11AB..	BSPP 1/2"F	119	119	411	65	58,5	1/2"
1P40N11AA..	BSPP 3/4"F	137	137	419	67	75	1"
1P50N17YA..	BSPP 3/4"F	137	137	419	67	75	1"
1P70N17YA..	BSPP 1"F	157	157	416	64	82	1"
1P90N17YA..	BSPP 1"F	174	174	420	71	86	1"

Electric motor size	4 Poles Kw	6 Poles Kw	TEFC 1xM20x1.5		EExde 1xM25x1.5	
			E	Kg	E	Kg
90	1.1	0.75	274	12	340	33
80	0.55	0.55	255	9	290	26