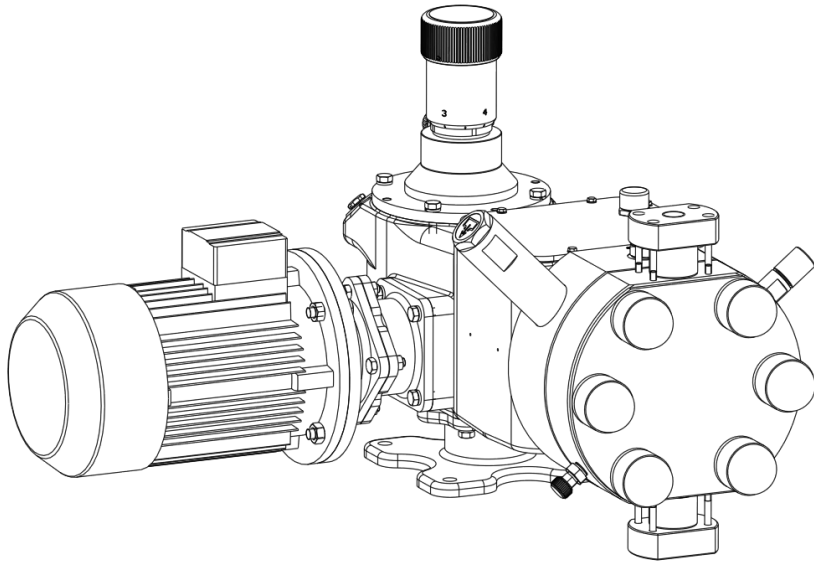
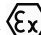


Technical characteristics



- Flow rates: from 58 to 1258 lph @ 50Hz
- Max Pressure: 12 bar
- Ambient temperature: -10 °C + 40 °C
- Max altitude: 1000 m (A.S.L.)
- Fluid operating temperature: -5 °C + 50 °C
- Viscosity up to 1000 cP (Higher on request)
- Stroke adjustment during operation from 0 to 100%
- Accuracy $\pm 1\%$ on the turndown ratio 10:1
- Built-in overpressure valve
- Double diaphragm and diagnostic of the rupture
- Diaphragm duration up to 20.000 hours, depending of the application
- Multiheads (up to six) solutions
- API 675 compliance
- CE marking
- ATEX  II 2 G c IIB T4 compliance
- Protection: IP 55
- Epoxy painting at 125 micron

nexa series includes plunger and hydraulic diaphragm dosing pumps designed in compliance with **API 675 Standards**; the conformity to the API Standards implies a “heavy duty” design, high safety and severe controls of the performances during the tests. The broad variety of heads execution offers a wide selection of dosing pumps to cover practically any application needs. In addition the full compliance with the **ATEX** European Directive gives the possibility to install these pumps in classified areas too.

Mechanism

Available in different sizes, they are mechanical return type, giving the maximum reliability in all working conditions.

General Specifications:

- Low noise integral gearbox, worm type, oil bath lubricated
- Reduced energy consumption based on low friction rolling bearings design
- High flexibility multiple mechanism solution to permit different piston speeds (SPM) on the same group
- Micrometric stroke length adjustment both manually and/or automatically actuated.
- Automatic stroke length variation by electrical servomotor, pneumatic actuator or frequency converter
- Linearity and repeatability in compliance with API 675 Standards.
- Easy “on field” installation of electrical servomotor on manual stroke adjustment mechanism.

Diaphragm Pumphead

- High capacity flexibility → On site easy volume changing by changing the piston cartridge
- Easy to change spares parts (all “one cartridge” solution).
- Maximum compatibility PTFE diaphragm
- Visual or remote diaphragm failure detection

PUMP KEY CODE

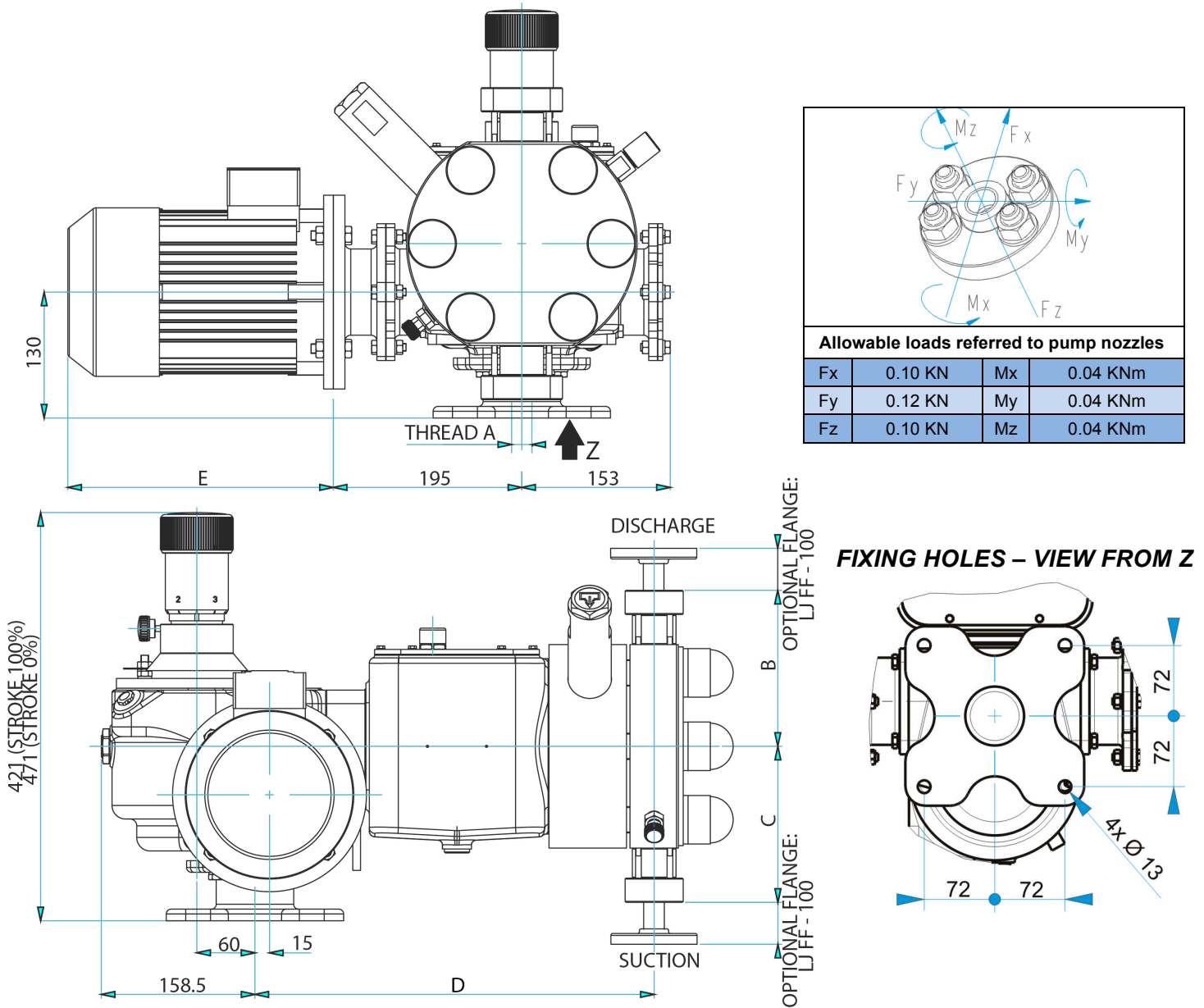
1°	Number of pump head				
1	Simplex pump				
2°	Type of pump head (double diaphragm or packed-plunger)				
Y	Double diaphragm with built-in overpressure valve, air-bleed valve and mechanically actuated oil replenishing				
3°/4°	Plunger diameter				
30÷70	from 30 to 70 mm				
5°/6°	Mechanism model				
N1	Stroke length 25 mm				
7°/8°	Pump head material				
5B	HEAD	DIAPHRAGM	BALL	VALVE SEAL	VALVE SEAT
	PP	PTFE	CERAMIC	FPM	FPM
9°	Valve type				
A	Single ball				
B	Double balls				
10°	General options				
7	Standard execution				
F	Flanged connections (UNI EN 1092-1)				
11°	Flow rate adjustment				
M	Manual with adjustment knob (Standard execution)				
E	Electric actuator				
P	Pneumatic actuator				
12°	Gear ratio				
D	1:12				
F	1:15				
13°	Electric motors poles				
2	2 poles (not available ATEX version)				
4	4 poles				
6	6 poles				
14°	Installed power				
E	0,55 kW				
F	0,75 kW				
G	1,10 kW				
I	2,20 kW				
15°	Pump head options				
V	Visual diaphragm failure detection (Standard execution)				
R	Remote diaphragm failure detection				
16°	Mechanism options				
0	Standard execution				
5	Compliance with regulation "ATEX" 94/4/CE II 2 G c IIB T4 (for zone 1)				

1	Y	30	N1	5B	B	7	M	F	6	E	V	0
---	---	----	----	----	---	---	---	---	---	---	---	---

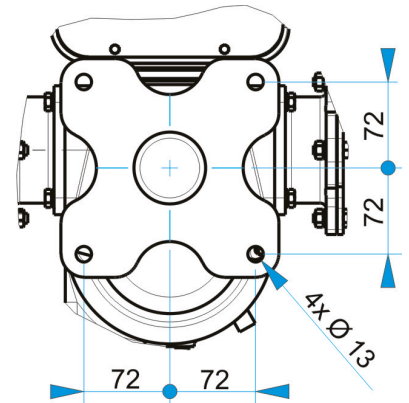
HYDRAULIC CHARACTERISTICS

Performances:		50 Hz		60Hz		Liquid end material				PP						
		58/1258 12		l/h bar	gph 18/399 p.s.i. 174											
		Flow rate at max pressure	Max speed	Flow rate at max pressure	Max speed	Electric motor kW				Suc/Dis Conneç						
						0,55 E	0,75 F	1,10 G	2,20 I							
Pump Model			Strokes /min			Max pressure								Ø BSPP	NPSHr [barg]	
	lph	gph	lph	gph	/min	bar	p.s.i.	bar	p.s.i.	bar	p.s.i.	bar	p.s.i.			
1Y30N15B7M6EVO	58	15	62	70	18	74	12	174	-	-	-	-	-	-	1/2" F	-0.60
1Y30N15B7MD6EVO	74	20	78	89	24	94	12	174	-	-	-	-	-	-	1/2" F	-0.60
1Y30N15B7MF4EVO	89	24	93	107	28	112	12	174	-	-	-	-	-	-	1/2" F	-0.60
1Y30N15B7MD4EVO	113	30	117	136	36	140	12	174	-	-	-	-	-	-	1/2" F	-0.60
1Y40N15B7M6EVO	110	29	62	132	35	74	12	174	-	-	-	-	-	-	1/2" F	-0.65
1Y40N15B7MD6EVO	137	36	78	164	43	94	12	174	-	-	-	-	-	-	1/2" F	-0.65
1Y40N15B7MF4EVO	163	43	93	196	52	112	12	174	-	-	-	-	-	-	1/2" F	-0.65
1Y40N15B7MD4EVO	204	54	117	245	65	140	12	174	-	-	-	-	-	-	1/2" F	-0.65
1Y50N15B7M6EVO	170	45	62	204	54	74	12	174	-	-	-	-	-	-	1/2" F	-0.65
1Y50N15B7MD6EVO	214	57	78	257	68	94	12	174	-	-	-	-	-	-	1/2" F	-0.65
1Y50N15B7MF4EVO	254	67	93	305	81	112	12	174	-	-	-	-	-	-	1/2" F	-0.65
1Y50N15B7MD4EVO	320	85	117	384	101	140	12	174	-	-	-	-	-	-	1/2" F	-0.65
1Y70N15B7M6EVO	336	89	62	403	106	74	-	-	12	174	-	-	-	-	1" F	-0.65
1Y70N15B7MD6EVO	421	111	78	505	133	94	-	-	12	174	-	-	-	-	1" F	-0.65
1Y70N15B7MF4GVO	501	132	93	601	159	112	-	-	-	-	12	174	-	-	1" F	-0.65
1Y70N15B7MD4GVO	629	166	117	755	199	140	-	-	-	-	12	174	-	-	1" F	-0.65
1Y70N15B7MF2EVO	996	263	186	1195	316	223	-	-	-	-	-	-	12	174	1" F	0.00
1Y70N15B7MD2EVO	1258	332	235	1510	399	282	-	-	-	-	-	-	12	174	1" F	0.00

Test with water @ 20°C.



FIXING HOLES - VIEW FROM Z



PUMP MDEL	DIMENSIONS [mm]				EXTIMATED WEIGHT Kg (without motor)	OPTIONAL FLANGE PN10 MAX. TEMP. 40°C SIZE
	A (EN10226)	B	C	D		
1Y30N15BB..	BSPP 1/2"F	187	187	407	70,5	DN15
1Y40N15BA..	BSPP 1/2"F	161	161	412	71,5	DN15
1Y50N15BA..	BSPP 1/2"F	161	161	412	72	DN15
1Y70N15BA..	BSPP 1"F	219	219	430	84	DN25

Electric motor size	4 Poles Kw	6 Poles Kw	TEFC 1xM20x1.5		EExde 1xM25x1.5	
			E	Kg	E	Kg
90	1.1	0.75	274	12	340	33
80	0.55	0.55	255	9	290	26